

**HOBART**701 S Ridge Avenue, Troy, OH 45374  
1-888-4HOBART • www.hobartcorp.com**LEGACY®  
HL120 MIXER****HOBART****STANDARD FEATURES**

- Heavy-Duty ½ H.P. Motor
- Gear Transmission
- Three Fixed Speeds Plus Stir Speed
- Shift-on-the-Fly™ Controls
- Patented soft start Agitation Technology
- 15-Minute SmartTimer™
- Automatic Time Recall
- Large, Easy-To-Reach Controls
- Single Point Bowl Installation
- Ergonomic Swing-Out Bowl
- #12 Taper Attachment Hub
- Open Base
- Stainless Steel Bowl Guard
- Metallic Gray Hybrid Powder Coat Finish

**ACCESSORY PACKAGE - featuring  
Hobart Quick Release™ Agitators**

- **Standard Accessory Package Includes:**
  - 12 Quart Stainless Steel Bowl
  - 12 Quart "B" Beater
  - 12 Quart "D" Wire Whip

**MODEL**

- HL120 – 12-Quart All Purpose Mixer

Specifications, Details and Dimensions on Inside and Back.

**LEGACY® HL120 MIXER**

# LEGACY® HL120 MIXER



701 S Ridge Avenue, Troy, OH 45374  
1-888-4HOBART • www.hobartcorp.com

## SOLUTIONS/BENEFITS

### ½ H.P. Motor

#### Durability

- Heavy-duty to meet the most demanding operations

### Gear Transmission

#### Durability, Reliability

- Ensures consistent performance and minimum downtime under heavy loads

### Three Fixed Speeds plus Stir Speed

#### Flexibility, Reliability, Consistency

- For incorporating, blending, mixing ingredients
- Supports consistent results and thorough mixing

### Shift-on-the-Fly™ Controls

#### Flexibility

- Allows operator to change speeds while mixer is running

### Patented soft start Agitation Technology

#### Sanitation

- Each speed has a soft transition into a higher speed to reduce the chances of product splash-out

### 15-Minute SmartTimer™

#### Convenience, Ease of Use, Consistency

- Supports recipe mixing times
- Provides accurate results and eliminates overmixing

### Automatic Time Recall

#### Productivity, Consistency

- Remembers the last time set for each speed
- Great for multiple batches

### Ergonomic Swing-Out Bowl

#### Ease of Use, Convenience

- Easy loading and unloading of products
- Single Point Bowl Installation allows for simple mounting and removal of bowl
- Bowl Interlock ensures mixer bowl is properly in place for mixer to operate

### Stainless Steel Bowl Guard

#### Protection

- Safety interlock prevents operation when front portion of guard is out of position

### Hobart Accessories

#### Durability, Flexibility, Simplicity

- Hobart Quick Release™ agitators allow for simple installation and removal from agitator shaft
- Hobart accessories are designed for long-term usage under heavy-duty conditions
- Large array of accessories provide multiple uses for recipe and product processing

## HL120 MIXER CAPACITY CHART

Recommended Maximum Capacities - dough capacities based on 70°F. water and 12% flour moisture.

| PRODUCT   | AGITATORS SUITABLE FOR OPERATION | HL120    |
|---|----------------------------------|----------|
| CAPACITY OF BOWL (QTS. LIQUID)                  |                                  | 12       |
| Egg Whites                                      | D                                | 1¼ pts.  |
| Mashed Potatoes                                 | B & C                            | 10 lbs.  |
| Mayonnaise (Qts. of Oil)                        | B or C or D                      | 4½ qts.  |
| Meringue (Qts. of Water)                        | D                                | ¾ pts.   |
| Waffle or Hot Cake Batter                       | B                                | 5 qts.   |
| Whipped Cream                                   | D or C                           | 2½ qts.  |
| Cake, Angel Food (8-10 oz. cake)                | C or I                           | 7        |
| Cake, Box or Slab                               | B or C                           | 12 lbs.  |
| Cake, Cup                                       | B or C                           | 12 lbs.  |
| Cake, Layer                                     | B or C                           | 12 lbs.  |
| Cake, Pound                                     | B                                | 12 lbs.  |
| Cake, Short (Sponge)                            | C or I                           | 8 lbs.   |
| Cake, Sponge                                    | C or I                           | 6½ lbs.  |
| Cookies, Sugar                                  | B                                | 10 lbs.  |
| Dough, Bread or Roll (Lt.-Med.) 60% AR          | § ED                             | 13 lbs.□ |
| Dough, Heavy Bread 55% AR                       | § ED                             | 8 lbs.□  |
| Dough Pie                                       | B & P                            | 11 lbs.  |
| Dough, Thin Pizza 40% AR (max. mix time 5 min.) | §‡ ED                            | 5 lbs.□  |
| Dough, Med. Pizza 50% AR                        | §‡ ED                            | 6 lbs.□  |
| Dough, Thick Pizza 60% AR                       | §‡ ED                            | 11 lbs.□ |
| Dough, Raised Donut 65% AR                      | ED                               | 4 lbs.*  |
| Dough, Whole Wheat 70% AR                       | ED                               | 11 lbs.□ |
| Eggs & Sugar for Sponge Cake                    | B & C or I                       | 5 lbs.   |
| Icing, Fondant                                  | B                                | 7 lbs.   |
| Icing, Marshmallow                              | C or I                           | 1¼ lbs.  |
| Shortening & Sugar, Creamed                     | B                                | 9½ lbs.  |
| Pasta, Basic Egg Noodle (max. mix time 5 min.)  | ED                               | —        |

NOTE: % AR (% Absorption Ratio) - Water weight divided by flour weight. Capacity depends on moisture content of dough. Above capacities based on 12% flour moisture at 70°F water temperature.

□ 1st Speed

\* 2nd Speed

† 3rd Speed

§ If high gluten flour is used, reduce above dough batch size by 10%.

‡ 2nd Speed should never be used on 50% AR or lower products.

**USE OF ICE REQUIRES A 10% REDUCTION IN BATCH SIZE.**

**1 gallon of water weighs 8.33 lbs.**

NOTE: Attachment hub should not be used while mixing.



701 S Ridge Avenue, Troy, OH 45374  
1-888-4HOBART • www.hobartcorp.com

# LEGACY® HL120 MIXER

## SPECIFICATIONS

### MOTOR:

½ H.P. high torque motor.

100-120/50/60/1 8.0 Amps  
200-240/50/60/1 5.0 Amps

### ELECTRICAL:

100-120/50/60/1, 200-240/50/60/1 – UL Listed.

### CONTROLS:

Magnetic contactor with thermal overload protection. Internally sealed “Start-Stop” push buttons. A 15-minute SmartTimer™ is standard. SmartTimer™ includes **Automatic Time Recall**, which remembers the last time set for each speed.

### TRANSMISSION:

Gear-driven. Gears are constant mesh heat-treated hardened alloy steel along with anti-friction ball bearings. Grease lubricants furnished to all gears and shafts.

### SPEEDS:

|                       | Agitator (RPM) | Attachment (RPM) |
|-----------------------|----------------|------------------|
| Stir                  | 59             | 33               |
| First (Low)           | 107            | 61               |
| Second (Intermediate) | 198            | 113              |
| Third (High)          | 365            | 207              |

### BOWL GUARD:

Heavy-duty stainless steel wire front and solid rear portion. Front portion of guard rotates easily to add ingredients and install or remove agitator. It detaches in seconds for cleaning in dishwasher or sink. Rear portion of guard can be quickly cleaned in position. Guard must be in closed position before mixer will operate. Bowl support interlock provides further protection.

### BOWL LIFT:

Ergonomic style, hand crank operated, self-locking in top and bottom position.

### FINISH:

Metallic Gray Hybrid Powder Coat finish.

### ATTACHMENT HUB:

Comes with front-mounted Hobart standard #12 taper attachment hub for use with #12 size attachments.

### ATTACHMENTS AND ACCESSORIES:

The following are available at extra cost:

- Stainless Steel Bowl
- “B” Flat Beater
- “C” Wing Whip
- “D” Wire Whip
- “ED” Dough Hook
- “P” Pastry Knife
- Bowl Splash Cover
- Bowl Scraper
- Ingredient Chute
- 9" Vegetable Slicer
- Meat Chopper Attachment
- Rubber Foot Pads
- Attachment Tray Support



Hobart Bowl Scraper

Hobart Ingredient Chute



Listed by Underwriters Laboratories Inc. and certified by NSF International.

# LEGACY® HL120 MIXER



701 S Ridge Avenue, Troy, OH 45374  
1-888-4HOBART • www.hobartcorp.com

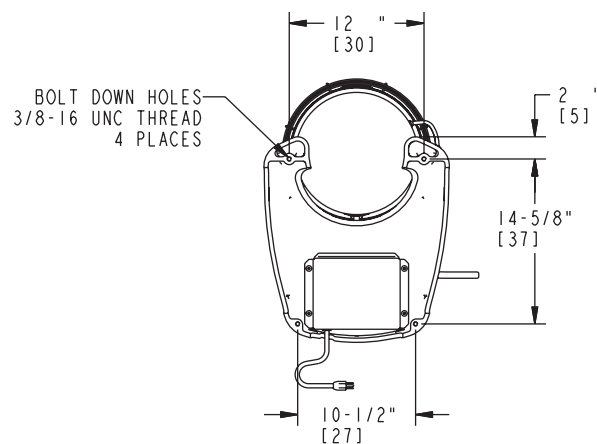
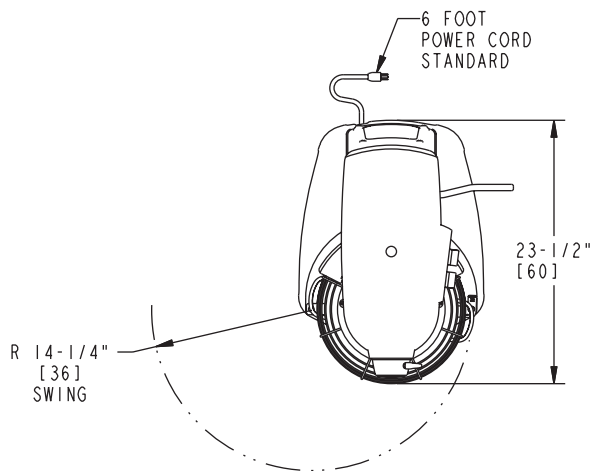
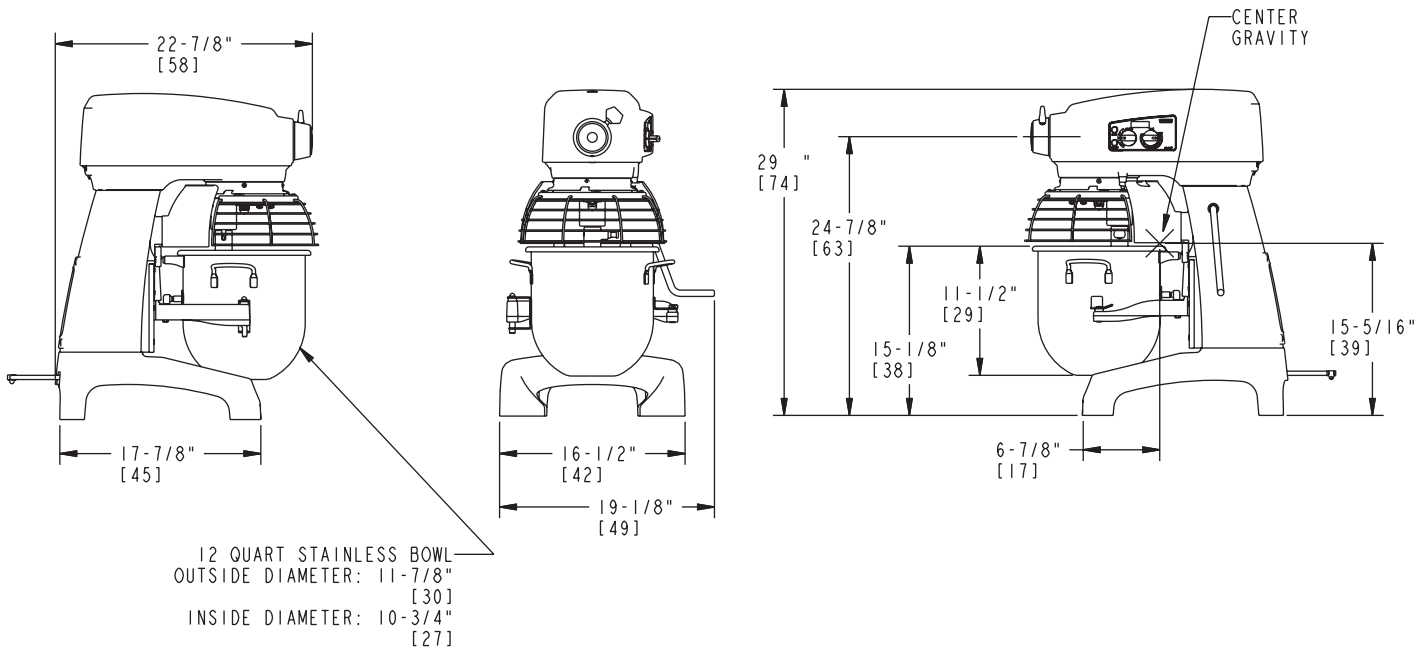
## SPECIFICATIONS

**ELECTRICAL SPECIFICATIONS:** 100-120/50/60/1,  
200-240/50/60/1 – UL Listed.

**WEIGHT:** 189 lbs. net; 204 lbs. domestic shipping.

**WARRANTY:** Unit has full one-year warranty on parts, labor and mileage against manufacturer's defects. Service contracts are available.

## DETAILS AND DIMENSIONS



### WARNING

ELECTRICAL AND GROUNDING CONNECTIONS MUST COMPLY WITH THE APPLICABLE PORTIONS OF THE NATIONAL ELECTRICAL CODE AND/OR OTHER CODES IN FORCE

### NOTE

MACHINE WEIGHT (LESS BOWL)-----187 LBS  
SHIPPING WEIGHT-----202 LBS  
BOWL WEIGHT-----7-1/2 LBS

As continued product improvement is a policy of Hobart, specifications are subject to change without notice.